

# SMOKE & CARBON MONOXIDE ALARM



## LOW PROFILE DESIGN

Sleek, contemporary design blends into any décor.

## 10-YEAR LITHIUM POWER

10 years of continuous protection. No battery change required. Provides audible notice when alarm has reached its end of life.

## TAMPERPROOF SEALED ALARM

Powercell cannot be removed.

## ELECTROCHEMICAL CO SENSOR

Most accurate technology available for detecting carbon monoxide as compared to other sensing technologies.

## PHOTOELECTRIC

Photoelectric technology is generally more sensitive at detecting large particles, which tend to be produced in greater amounts by smoldering fires.

## SILENCE FEATURE

Silences nuisance alarms.

## END OF LIFE SIGNAL

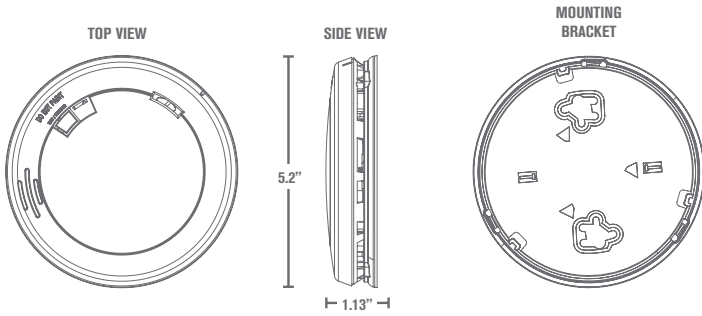
Provides audible notice when alarm needs to be replaced after 10 years.

First Alert Model PRC710A-6 (Cat. 1039860) is a 10-Year sealed tamperproof 3V lithium powered photoelectric smoke and carbon monoxide combination alarm specifically designed for residential and institutional applications including sleeping rooms of hospitals, hotels, motels, dormitories, and other multifamily dwellings. Model PRC710V-6 has been fully tested and complies with, ULC S531, CSA 6.19-01, NFPA 72, NFPA 720, NFPA 101 and other agencies that model their codes after the above agencies. It meets building codes where tamperproof 10-year sealed lithium battery operated photoelectric smoke and carbon monoxide combination alarms are required.

First Alert PRC710A-6 is a state of the art smoke and CO combination alarm designed to provide early warning of a fire or carbon monoxide danger. It features a photoelectric smoke sensing chamber, and electrochemical CO sensor and a sealed 10-year lithium power cell power supply that is permanently installed. The tamperproof design will not allow the powercell to be removed. The low power warning indicator will cause the alarm to “chirp” when it reaches the end of its service life and needs to be replaced. Upon end of life, the unit meets ULC requirements for disabling the alarm and non-reinstallation of unit to mounting bracket. It also features a tamper resistant locking pin that locks alarm to the mounting bracket to prevent removal of alarm. Perfect for apartment, dormitory or hotel applications. The sleek, low profile design complements any décor. Designed for wall or ceiling mounting. Includes mounting anchors and screws.



Intertek  
305574  
Model PRC710A-6



### ARCHITECTURAL AND ENGINEERING SPECS

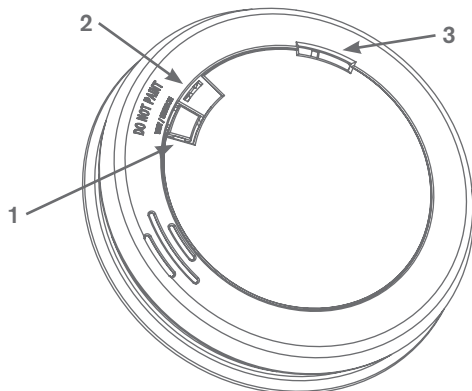
The smoke and CO combination alarm shall be a First Alert Model PRC710A-6 (Cat. 1039860) and shall provide at a minimum the following features and functions:

1. A photoelectric smoke sensing chamber and an electrochemical CO sensor.
2. The unit shall have an "End of Life" signal. This signal should be capable of temporarily being silenced for up to 2 days. After about 2 days, the signal will resume. After about 2-3 weeks the signal cannot be silenced.
3. Fully screened smoke sensing chamber to resist entry of small insects thereby reducing the probability of unwanted alarms and be capable of self restoring.
4. Powered by a sealed 10-year lithium powercell with a tamperproof design. The tamperproof design shall not allow the powercell to be removed. A low power warning indicator shall cause the alarm to "chirp" when it reaches the end of its service life and needs to be replaced. Upon end of life, the unit shall meet ULC requirements for disabling the alarm and the non-reinstallation of unit to mounting bracket.
5. A visual LED power-on indicator to confirm unit is receiving power or is in alarm.
6. A full function test button should check all alarm functions by simulating a smoke and CO condition, causing the unit to alarm.
7. Tamper resistant locking pin that locks alarm to mounting bracket to prevent removal of the alarm.
8. The unit shall be capable of operating between 32°F (0°C) and 120°F (49°C) and relative humidity between 10% and 95%.
9. The unit shall contain mounting hardware and shall be listed for wall or ceiling mounting.
10. The unit shall at a minimum meet the requirements of ULC S531, CSA 6.19-01, NFPA 72, NFPA 720, NFPA 101, and ICC.

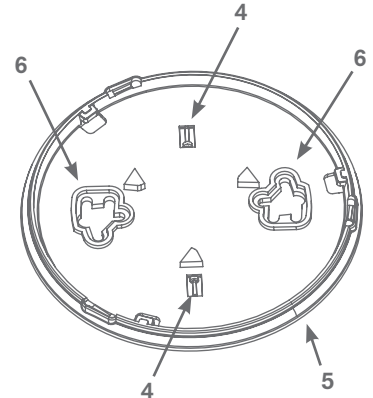
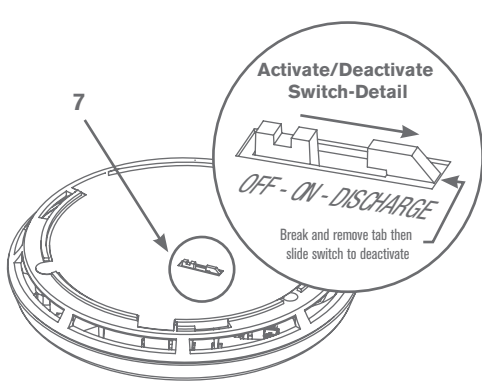
### INSTALLATION OF ALARM

Always check your local building codes. Follow all instructions for placement as outlined in the user's manual in sections titled "Recommended Locations for Smoke Alarms" and "Locations to Avoid for Smoke Alarms".

### THE PARTS OF THIS ALARM



- |                                     |                               |
|-------------------------------------|-------------------------------|
| 1. Test/Silence button              | 5. Mounting bracket           |
| 2. LED alarm light                  | 6. Mounting Slots             |
| 3. Horn                             | 7. Activate/Deactivate switch |
| 4. Locking tab slot (Break out Tab) |                               |



### TECHNICAL SPECS

Alarm Dimensions:	5.7" Dia. x 1.13" H
Weight:	7.9 oz
Operating Voltage:	3V Lithium Power Cell
Temperature Range:	32°F (0°C) to 120°F (49°C)
Humidity Range:	10% to 95% relative humidity (RH)
Audio Alarm	85dB at 10 feet
Test/Silence:	Electronically simulates smoke and CO conditions, causing the unit to alarm. Press and hold test/silence button.
Alarm Reset:	Automatic when smoke clears
Smoke Sensor:	Photoelectric
CO Sensor:	Electrochemical
Indicator Lights/Sounds:	
DC Power:	Intermittent Green LED
Local Alarm:	Audio alarm and rapidly flashing Red LED
Listing:	Certified to ULC S531 & CSA 6.19-01

### SHIPPING SPECS

Individual Carton Dimensions	6.8" L x 1.5" W x 8.5" H
Weight:	0.44 lbs.
Cube:	0.05 ft <sup>3</sup>
UPC:	0 29054 019151 8
Master Carton Dimensions	10.3" L x 7.3" W x 9.0" H
Master Pack:	6
Weight:	3.9 lbs.
Cube:	0.4 ft <sup>3</sup>
I2of5:	300 29054 01915 9
Pallet Information	
Cases per Layer:	25
Number of Layers:	5
Cases per Pallet:	125
Units per Pallet:	750
Cube:	55.9 ft <sup>3</sup>
Weight:	438 lbs.



© 2022 Resideo Technologies, Inc. All rights reserved. These products are manufactured by Resideo Technologies, Inc. and its affiliates.